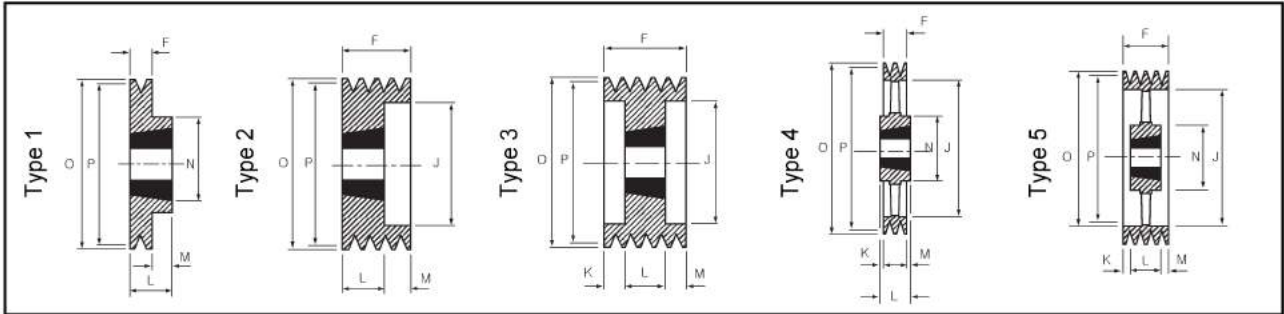


1 테퍼킥® V-폴리 SPZ/3V①

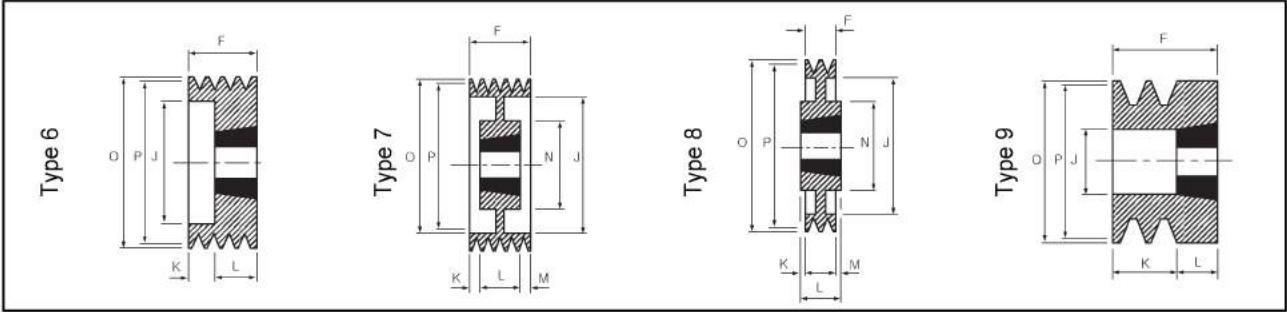
적용 V-벨트 : SPZ · 3V



코드번호 Code	피치경(P)	열수	외주경(O)	TQ부쉬	최대축경	폴리타입	F	K	L	M	N
JSPZ06301	63	1	67	1108	28	1	16	-	22	6	60
JSPZ06302		2		1108	28	6	28	6	22	-	-
JSPZ06303		3		1108	28	2	40	-	22	18	-
JSPZ06701	67	1	71	1108	28	1	16	-	22	6	60
JSPZ06702		2		1108	28	6	28	6	22	-	-
JSPZ06703		3		1108	28	2	40	18	22	-	-
JSPZ07101	71	1	75	1108	28	1	16	-	22	6	60
JSPZ07102		2		1108	28	6	28	6	22	-	-
JSPZ07103		3		1108	28	6	40	18	22	-	-
JSPZ07501	75	1	79	1108	28	1	16	-	22	6	60
JSPZ07502		2		1210	32	6	28	3	25	-	-
JSPZ07503		3		1210	32	6	40	15	25	-	-
JSPZ08001	80	1	84	1210	32	1	16	-	25	9	75
JSPZ08002		2		1210	32	6	28	3	25	0	0
JSPZ08003		3		1210	32	2	40	-	25	15	-
JSPZ08004		4		1210	32	2	52	-	25	27	-
JSPZ08501	85	1	89	1210	32	1	16	-	25	9	83
JSPZ08502		2		1610	42	6	28	3	25	-	0
JSPZ08503		3		1610	42	2	40	-	25	15	-
JSPZ08504		4		1610	42	2	52	-	25	27	-
JSPZ08505		5		1610	42	3	64	19.5	25	19.5	-
JSPZ09001	90	1	94	1210	32	1	16	-	25	9	83
JSPZ09002		2		1610	42	6	28	3	25	-	0
JSPZ09003		3		1610	42	2	40	-	25	15	-
JSPZ09004		4		1610	42	2	52	-	25	27	-
JSPZ09005		5		1610	42	3	64	19.5	25	19.5	-
JSPZ09501	95	1	99	1210	32	1	16	-	25	9	83
JSPZ09502		2		1610	42	6	28	3	25	-	0
JSPZ09503		3		1610	42	2	40	-	25	15	-
JSPZ09504		4		1610	42	2	52	-	25	27	-
JSPZ09505		5		1610	42	3	64	19.5	25	19.5	-
JSPZ10001	100	1	104	1210	32	1	16	-	25	9	83
JSPZ10002		2		1610	42	6	28	3	25	-	0
JSPZ10003		3		1610	42	2	40	-	25	15	-
JSPZ10004		4		1610	42	2	52	-	25	27	-
JSPZ10005		5		2012	50	3	64	16	32	16	-
JSPZ10601	106	1	110	1610	42	1	16	-	25	9	92
JSPZ10602		2		1610	42	6	28	3	25	-	-
JSPZ10603		3		1610	42	2	40	-	25	15	-
JSPZ10604		4		1610	42	2	52	-	25	27	-
JSPZ10605		5		2012	50	3	64	16	32	16	-
JSPZ11201	112	1	116	1610	42	1	16	-	25	9	92
JSPZ11202		2		1610	42	6	28	3	25	-	-
JSPZ11203		3		2012	50	2	40	-	32	8	-
JSPZ11204		4		2012	50	2	52	-	32	20	-
JSPZ11205		5		2012	50	3	64	16	32	16	-
JSPZ11801	118	1	122	1610	42	1	16	-	25	0	92
JSPZ11802		2		1610	42	6	28	3	25	-	-
JSPZ11803		3		2012	50	2	40	-	32	8	-
JSPZ11804		4		2012	50	2	52	-	32	20	-
JSPZ11805		5		2012	50	3	64	16	32	16	-

I.V-벨트 및 폴리

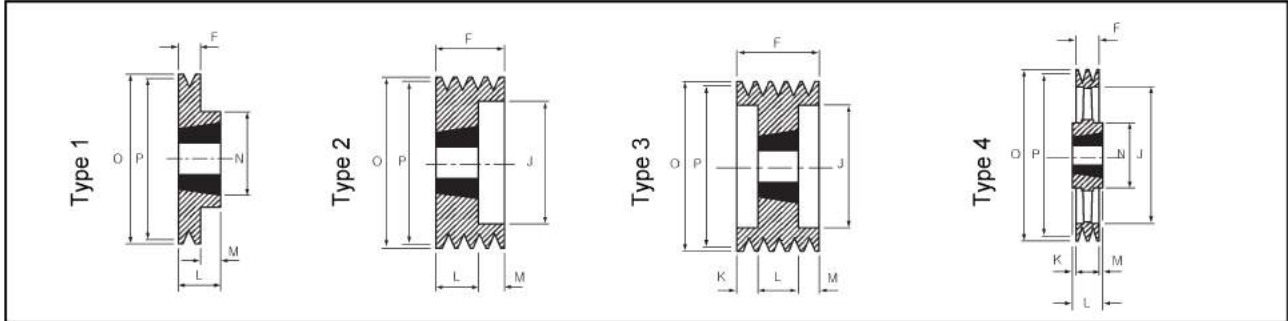
테퍼콧® V-폴리 SPZ/3V②



코드번호 Code	피치경(P)	열수	외주경(O)	TQ부쉬	최대축경	폴리타입	F	K	L	M	N
JSPZ12501	125	1	129	1610	42	1	16	-	25	9	88
JSPZ12502		2		1610	42	6	28	3	25	-	-
JSPZ12503		3		2012	50	2	40	-	32	8	-
JSPZ12504		4		2012	50	2	52	-	32	20	-
JSPZ12505		5		2012	50	3	64	16	32	16	-
JSPZ13201	132	1	136	1610	42	1	16	-	25	9	92
JSPZ13202		2		1610	42	6	28	3	25	-	-
JSPZ13203		3		2012	50	2	40	-	32	8	-
JSPZ13204		4		2012	50	2	52	-	32	20	-
JSPZ13205		5		2517	60	2	64	-	45	19	-
JSPZ14001	140	1	144	1610	42	8	16	-	25	9	88
JSPZ14002		2		1610	42	6	28	3	25	-	-
JSPZ14003		3		2012	50	2	40	-	32	8	-
JSPZ14004		4		2012	50	2	52	-	32	20	-
JSPZ14005		5		2517	60	2	64	-	45	19	-
JSPZ15001	150	1	154	1610	42	8	16	-	25	9	92
JSPZ15002		2		2012	50	1	28	-	32	4	112
JSPZ15003		3		2012	50	2	40	-	32	8	-
JSPZ15004		4		2517	60	2	52	-	45	7	-
JSPZ15005		5		2517	60	2	64	-	45	19	-
JSPZ16001	160	1	164	1610	42	8	16	-	25	9	88
JSPZ16002		2		2012	50	8	28	-	32	4	108
JSPZ16003		3		2012	50	2	40	-	32	8	-
JSPZ16004		4		2517	60	2	52	-	45	7	-
JSPZ16005		5		2517	60	2	64	-	45	19	-
JSPZ17001	170	1	174	1610	42	8	16	-	25	9	92
JSPZ17002		2		2012	50	8	28	-	32	4	112
JSPZ17003		3		2012	50	3	40	4	32	4	112
JSPZ17004		4		2517	60	2	52	-	45	7	-
JSPZ17005		5		2517	60	2	64	-	45	19	-
JSPZ18001	180	1	184	1610	42	8	16	-	25	9	88
JSPZ18002		2		2012	50	8	28	-	32	4	108
JSPZ18003		3		2012	50	7	40	-	32	4	-
JSPZ18004		4		2517	60	7	52	3.5	45	3.5	-
JSPZ18005		5		2517	60	7	64	9.5	45	9.5	-
JSPZ19001	190	1	194	1610	42	8	16	-	25	9	92
JSPZ19002		2		2012	50	8	28	-	32	4	112
JSPZ19003		3		2012	50	7	40	-	32	8	112
JSPZ19004		4		2517	60	7	52	3.5	45	7	124
JSPZ19005		5		2517	60	7	64	9.5	45	9.5	124
JSPZ20001	200	1	204	2012	50	8	16	-	32	16	108
JSPZ20002		2		2012	50	8	28	-	32	4	108
JSPZ20003		3		2012	50	7	40	-	32	8	108
JSPZ20004		4		2517	60	7	52	-	45	7	123
JSPZ20005		5		2517	60	7	64	9.5	45	9.5	-
JSPZ21202	212	2	216	2012	50	8	28	2	32	2	108
JSPZ21203		3		2012	50	7	40	4	32	4	108
JSPZ21204		4		2517	60	7	52	3.5	45	3.5	124
JSPZ21205		5		2517	60	7	64	9.5	45	9.5	124

註) 품질 향상을 위하여 부쉬 사이즈나 일부 사양을 사전 통보없이 변경할 수 있음.

테퍼콧® V-폴리 SPZ/3V^③



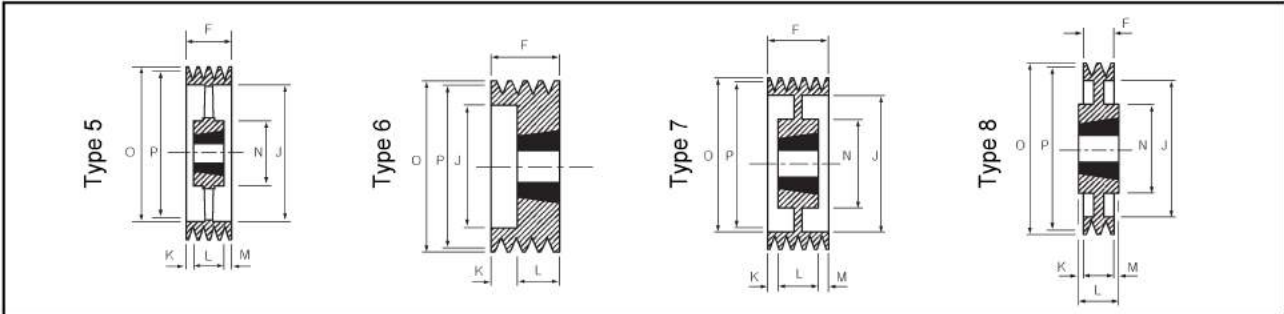
코드번호 Code	피치경(P)	열수	외주경(O)	TQ부쉬	최대축경	폴리타입	F	K	L	M	N
JSPZ22402	224	2	228	2012	50	8	28	-	32	4	112
JSPZ22403		3		2012	50	7	40	-	32	8	112
JSPZ22404		4		2517	60	7	52	-	45	7	124
JSPZ22405		5		2517	60	7	64	9.5	45	9.5	124
JSPZ23602		236		2	2012	50	8	28	2	32	2
JSPZ36203	3		2012	50	7	40	4	32	4	108	
JSPZ23604	4		2517	60	7	52	3.5	45	3.5	124	
JSPZ23605	5		2517	60	7	64	4.75	45	4.75	124	
JSPZ25002	250		2	2012	50	8	28	-	32	4	112
JSPZ25003		3	2012	50	7	40	-	32	8	124	
JSPZ25004		4	2517	60	7	52	-	45	7	124	
JSPZ25005		5	2517	60	7	64	9.5	45	9.5	124	
JSPZ26502		265	2	2012	50	4	28	-	32	4	112
JSPZ26503	3		2517	60	4	40	2.5	45	2.5	124	
JSPZ26504	4		2517	60	5	52	3.5	45	3.5	124	
JSPZ26505	5		2517	60	5	64	9.5	45	9.5	124	
JSPZ28002	280		2	2012	50	4	28	-	32	4	112
JSPZ28003		3	2517	60	4	40	-	45	5	112	
JSPZ28004		4	2517	60	5	52	-	45	7	124	
JSPZ28005		5	2517	60	5	64	9.5	45	9.5	124	
JSPZ30002		300	2	2012	50	4	28	-	32	4	112
JSPZ30003	3		2517	60	8	40	-	45	5	124	
JSPZ30004	4		2517	60	7	52	-	45	7	124	
JSPZ30005	5		2517	60	7	64	9.5	45	9.5	124	
JSPZ31502	315		2	2012	50	4	28	-	32	4	112
JSPZ31503		3	2517	60	4	40	-	45	5	124	
JSPZ31504		4	2517	60	5	52	-	45	7	124	
JSPZ31505		5	2517	60	5	64	9.5	45	9.5	124	
JSPZ33502		335	2	2012	60	4	28	-	32	4	124
JSPZ33503	3		2517	60	4	40	2.5	45	2.5	124	
JSPZ33504	4		2517	60	5	52	3.5	45	3.5	124	
JSPZ33505	5		2517	60	5	64	9.5	45	9.5	124	
JSPZ35502	355		2	2012	50	4	28	-	32	4	112
JSPZ35503		3	2517	60	4	40	-	45	5	124	
JSPZ35504		4	2517	60	5	52	-	45	7	124	
JSPZ35505		5	2517	60	5	64	9.5	45	9.5	124	
JSPZ40002		400	2	2517	60	4	28	-	45	17	124
JSPZ40003	3		2517	60	4	40	-	45	5	124	
JSPZ40004	4		2517	60	5	52	-	45	7	124	
JSPZ40005	5		3020	75	5	64	-	51	13	146	
JSPZ45002	450		2	2517	60	4	28	-	45	17	120
JSPZ45003		3	2517	60	4	40	-	45	5	120	
JSPZ45004		4	3020	75	5	52	-	51	1	145	
JSPZ45005		5	3020	75	5	64	-	51	13	145	
JSPZ50002		500	2	2517	60	4	28	-	45	17	124
JSPZ50003	3		2517	60	4	40	-	45	5	124	
JSPZ50004	4		3020	75	5	52	-	51	1	146	
JSPZ50005	5		3020	75	5	64	-	51	13	146	

註) 품질 향상을 위하여 부쉬 사이즈나 일부 사양을 사전 통보없이 변경할 수 있음.

I.V - 벨트 및 풀리

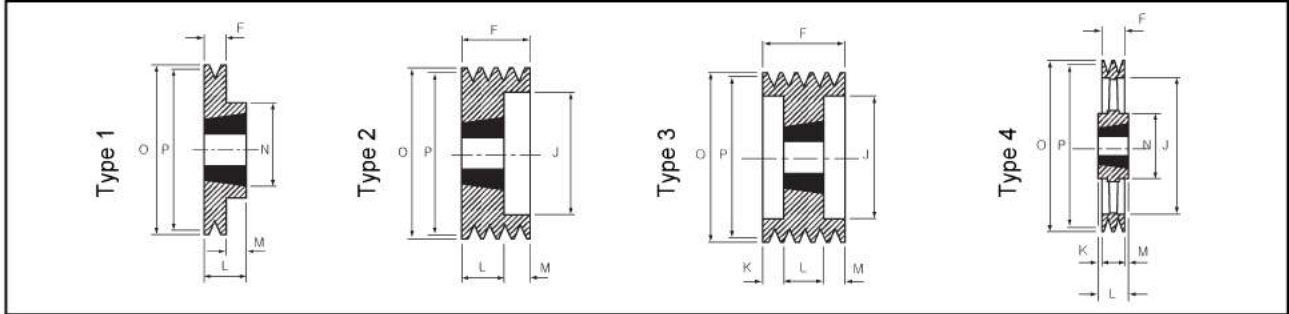
2 테퍼킥® V-풀리 SPA^①

적용 V-벨트 : SPA



코드번호 Code	피치경(P)	열수	외주경(O)	TQ부쉬	최대축경	풀리타입	F	K	L	M	N
JSPA06301	63	1	69	1108	28	1	20	-	22	2	56
JSPA06302		2		1108	28	6	35	13	22	2	-
JSPA06701	67	1	73	1108	28	1	20	-	22	2	56
JSPA06702		2		1108	28	6	35	13	22	-	-
JSPA07101	71	1	77	1108	28	1	20	-	22	2	60
JSPA07102		2		1108	28	6	35	13	22	-	-
JSPA07103		3		1108	28	6	50	28	22	-	-
JSPA07501	75	1	81	1108	28	1	20	-	22	2	60
JSPA07502		2		1108	28	6	35	13	22	-	-
JSPA07503		3		1108	32	6	50	28	22	-	-
JSPA08001	80	1	86	1210	32	1	20	-	25	5	75
JSPA08002		2		1210	32	6	35	10	25	-	-
JSPA08003		3		1210	32	6	50	25	25	-	-
JSPA08501	85	1	91	1210	32	1	20	-	25	5	80
JSPA08502		2		1210	32	6	35	10	25	-	-
JSPA08503		3		1210	32	6	50	25	25	-	-
JSPA09001	90	1	96	1210	32	1	20	-	25	5	80
JSPA09002		2		1610	42	6	35	10	25	-	-
JSPA09003		3		1610	42	2	50	-	25	25	-
JSPA09004		4		• 1615	42	3	65	13.5	38	13.5	-
JSPA09501	95	1	101	1210	32	1	20	-	25	5	85
JSPA09502		2		1610	42	6	35	10	25	-	-
JSPA09503		3		1610	42	2	50	-	25	24	-
JSPA09504		4		• 1615	42	3	65	13.5	38	13.5	-
JSPA10001	100	1	106	1610	42	1	20	-	25	5	85
JSPA10002		2		1610	42	6	35	10	25	-	-
JSPA10003		3		1610	42	2	50	-	25	25	-
JSPA10004		4		• 1615	42	2	65	-	38	27	-
JSPA10005		5		• 1615	42	3	80	13.5	38	13.5	-
JSPA10601	106	1	112	1610	42	1	20	-	25	5	92
JSPA10602		2		1610	42	6	35	10	25	-	-
JSPA10603		3		1610	42	2	50	-	25	25	-
JSPA10604		4		2012	50	2	65	-	32	33	-
JSPA10605		5		2012	50	3	80	24	32	24	-
JSPA11201	112	1	118	1610	42	1	20	-	25	5	92
JSPA11202		2		1610	42	6	35	10	25	-	-
JSPA11203		3		2012	50	2	50	-	32	18	-
JSPA11204		4		2012	50	2	65	-	32	33	-
JSPA11205		5		2012	50	3	80	24	32	24	-
JSPA11801	118	1	124	1610	42	1	20	-	25	5	92
JSPA11802		2		1610	42	6	35	10	25	-	-
JSPA11803		3		2012	50	2	50	-	32	18	-
JSPA11804		4		2012	50	2	65	-	32	33	-
JSPA11805		5		2012	50	3	80	24	32	24	-
JSPA12501	125	1	131	1610	42	1	20	-	25	5	92
JSPA12502		2		1610	42	6	35	10	25	-	-
JSPA12503		3		2012	50	2	50	-	32	18	-
JSPA12504		4		2012	50	2	65	-	32	33	-
JSPA12505		5		2012	50	3	80	24	32	24	-
JSPA13201	132	1	138	1610	42	1	20	-	26.5	5	92
JSPA13202		2		2012	50	6	35	3	32	-	-
JSPA13203		3		2012	50	2	50	-	32	18	-
JSPA13204		4		2517	60	2	65	-	45	20	-
JSPA13205		5		2517	60	3	80	17.5	45	17.5	-
JSPA14001	140	1	146	1610	42	1	20	-	25	5	85
JSPA14002		2		2012	50	6	35	3	32	-	-
JSPA14003		3		2517	60	2	50	-	45	5	-
JSPA14004		4		2517	60	2	65	-	45	20	-
JSPA14005		5		2517	60	3	80	17.5	45	17.5	-

테퍼퀵® V-폴리 SPA²



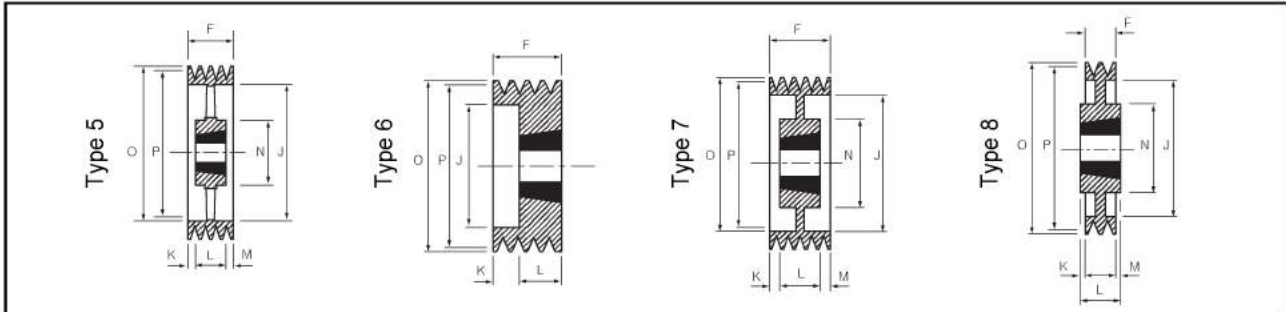
코드번호 Code	피치경(P)	열 수	외주경(O)	TQ부쉬	최대축경	폴리타입	F	K	L	M	N
JSPA15001	150	1	156	1610	42	1	20	-	25	5	88
JSPA15002		2		2012	50	6	35	3	32	-	-
JSPA15003		3		2517	60	2	50	-	45	5	-
JSPA15004		4		2517	60	2	65	-	45	20	-
JSPA15005		5		2517	60	3	80	17.5	45	17.5	-
JSPA16001	160	1	166	1610	42	7	20	-	25	5	88
JSPA16002		2		2012	50	6	35	3	32	-	-
JSPA16003		3		2517	60	2	50	-	45	5	-
JSPA16004		4		2517	60	2	65	-	45	20	-
JSPA16005		5		2517	60	3	80	17.5	45	17.5	-
JSPA17001	170	1	176	1610	42	1	20	-	25	5	92
JSPA17002		2		2012	50	6	35	3	32	-	-
JSPA17003		3		2517	60	2	50	-	45	5	-
JSPA17004		4		2517	60	2	65	-	45	20	-
JSPA17005		5		• 2517	60	3	80	17.5	45	17.5	-
JSPA18001	180	1	186	1610	42	8	20	-	25	5	88
JSPA18002		2		2012	50	3	35	1.5	32	1.5	108
JSPA18003		3		2517	60	2	50	-	45	5	-
JSPA18004		4		2517	60	2	65	-	45	20	-
JSPA18005		5		3020	75	3	80	14.5	51	14.5	-
JSPA19001	190	1	196	• 1610	42	8	20	-	25	5	92
JSPA19002		2		• 2517	60	8	35	5	45	5	123
JSPA19003		3		2517	60	2	50	-	45	5	-
JSPA19004		4		• 2517	75	2	65	-	45	20	-
JSPA19005		5		3020	75	7	80	14.5	51	14.5	-
JSPA20001	200	1	206	2012	50	8	20	-	32	12	108
JSPA20002		2		2517	60	8	35	-	45	10	123
JSPA20003		3		2517	60	7	50	2.5	45	2.5	123
JSPA20004		4		3020	75	2	65	-	51	14	-
JSPA20005		5		3020	75	7	80	14.5	51	14.5	-
JSPA21201	212	1	218	2012	50	8	20	-	32	12	112
JSPA21202		2		2517	60	8	35	-	45	10	124
JSPA21203		3		2517	60	7	50	-	45	5	124
JSPA21204		4		3020	75	2	65	-	51	14	-
JSPA21205		5		3020	75	7	80	14.5	51	14.5	-
JSPA22401	224	1	230	2012	50	8	20	-	32	12	112
JSPA22402		2		2517	60	8	35	-	45	10	124
JSPA22403		3		2517	60	7	50	-	45	5	124
JSPA22404		4		3020	75	2	65	-	51	14	-
JSPA22405		5		3020	75	7	80	14.5	51	14.5	-
JSPA23601	236	1	242	2012	50	8	20	-	32	12	112
JSPA23602		2		2517	60	8	35	-	45	10	124
JSPA23603		3		2517	60	7	50	-	45	5	124
JSPA23604		4		3020	75	7	65	-	51	14	-
JSPA23605		5		3020	75	7	80	14.5	51	14.5	-
JSPA25001	250	1	256	2012	50	4	20	-	32	12	112
JSPA25002		2		2517	60	4	35	-	45	10	124
JSPA25003		3		2517	60	5	50	-	45	5	124
JSPA25004		4		3020	75	5	65	-	51	14	159
JSPA25005		5		3020	75	5	80	14.5	51	14.5	159

註) 품질 향상을 위하여 부쉬 사이즈나 일부 사양을 사전 통보없이 변경할 수 있음.

* 표시는 추가사양 • 표시는 부쉬 변경 가능

I.V-벨트 및 풀리

테퍼릭® V-풀리 SPA[®]



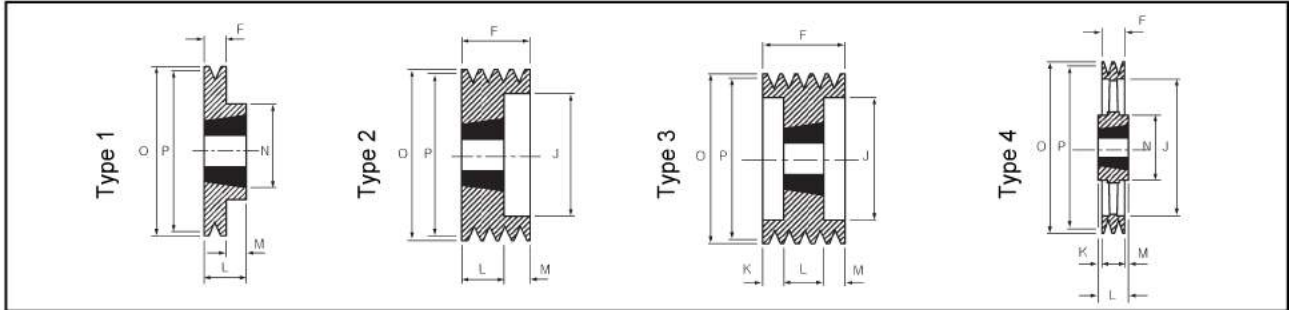
코드번호 Code	피치경(P)	열 수	외주경(O)	TQ부쉬	최대축경	풀리타입	F	K	L	M	N
JSPA26501	*265	1	271	2012	50	4	20	-	32	12	112
JSPA26502		2		2517	60	4	35	-	45	10	124
JSPA26503		3		2517	60	5	50	-	45	5	129
JSPA26504		4		3020	75	7	65	-	51	14	159
JSPA26505		5		3020	75	7	80	14.5	51	14.5	159
JSPA28001	280	1	286	2012	50	4	20	-	32	12	112
JSPA28002		2		2517	60	4	35	-	45	10	124
JSPA28003		3		2517	60	5	50	-	45	5	124
JSPA28004		4		3020	75	5	65	-	51	14	159
JSPA28005		5		• 3525	100	7	80	-	65	15	178
JSPA30001	*300	1	306	2012	50	4	20	-	32	12	112
JSPA30002		2		2517	60	4	35	-	45	10	124
JSPA30003		3		3020	75	8	50	-	51	1	159
JSPA30004		4		3020	75	5	65	-	51	14	159
JSPA30005		5		3525	100	7	80	-	65	15	178
JSPA31501	315	1	321	2012	50	4	20	-	32	12	112
JSPA31502		2		2517	60	4	35	-	45	10	124
JSPA31503		3		3020	75	4	50	-	51	1	159
JSPA31504		4		3020	75	5	65	-	51	14	159
JSPA31505		5		• 3525	100	7	80	-	65	15	178
JSPA33501	335	1	341	2517	60	4	20	12.5	45	12.5	124
JSPA33502		2		2517	60	4	35	5	45	5	124
JSPA33503		3		3020	75	4	50	0.5	51	0.5	159
JSPA33504		4		3020	75	5	65	7	51	7	159
JSPA33505		5		3525	100	5	80	7.5	65	7.5	178
JSPA35501	355	1	361	2012	50	4	20	-	32	12	112
JSPA35502		2		2517	60	4	35	-	45	10	124
JSPA35503		3		3020	75	4	50	-	51	1	159
JSPA35504		4		3020	75	5	65	-	51	14	159
JSPA35505		5		• 3525	100	5	80	-	65	15	178
JSPA40001	400	1	406	2012	50	4	20	-	32	12	112
JSPA40002		2		2517	60	4	35	-	45	10	124
JSPA40003		3		3020	75	4	50	-	51	1	159
JSPA40004		4		3020	75	5	65	-	51	14	159
JSPA40005		5		• 3525	100	5	80	-	65	15	178
JSPA45001	450	1	456	2012	50	4	20	-	32	12	112
JSPA45002		2		2517	60	4	35	-	45	5	124
JSPA45003		3		3020	75	4	50	-	51	1	159
JSPA45004		4		3020	75	5	65	-	51	14	159
JSPA45005		5		• 3525	100	5	80	-	65	15	178
JSPA50002	500	2	506	2517	60	4	35	-	45	10	124
JSPA50003		3		3020	75	4	50	-	51	1	159
JSPA50004		4		3020	75	5	65	-	51	14	159
JSPA50005		5		• 3525	100	5	80	-	65	15	178
JSPA56002		560		2	566	3020	75	4	35	-	51
JSPA56003	3		3020	75		4	50	-	51	1	159
JSPA56004	4		• 3525	100		5	65	-	65	-	178
JSPA56005	5		• 3525	100		5	80	-	65	15	178
JSPA63002	630		2	636		3020	75	4	35	-	51
JSPA63003		3	3020		75	4	50	-	51	1	159
JSPA63004		4	• 3525		100	5	65	-	65	-	178
JSPA63005		5	• 3525		100	5	80	-	65	15	178

註) 품질 향상을 위하여 부쉬 사이즈나 일부 사양을 사전 통보없이 변경할 수 있음.

* 표시는 추가사양 • 표시는 부쉬 변경 가능

3 테퍼릭® V-폴리 SPB/5V①

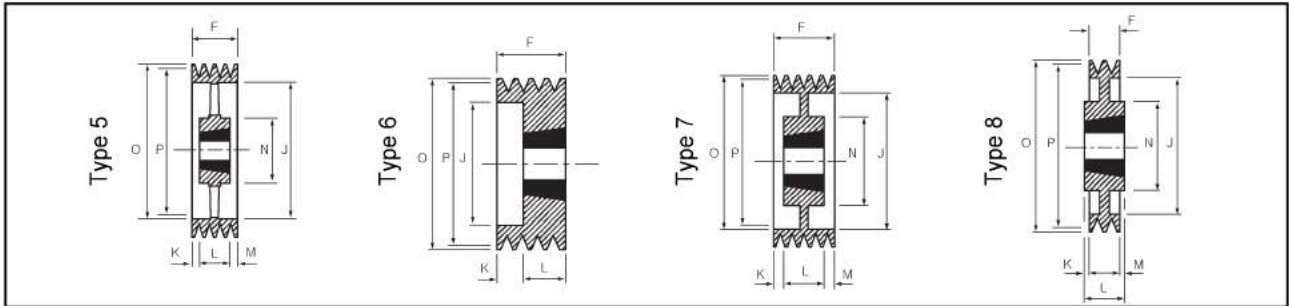
적용 V-벨트 : SPB · 5V



코드번호 Code	피치경(P)	열 수	외주경(O)	TQ부쉬	최대축경	폴리타입	F	K	L	M	N		
JSPB10002	100	2	107	1610	42	2	44	-	25	19	-		
JSPB10003		3		1610	42	2	63	-	25	38	-		
JSPB10602	106	2	113	1610	42	2	44	-	25	19	-		
JSPB10603		3		1610	42	2	63	-	25	38	-		
JSPB11202	112	2	119	• 1610	42	2	44	-	25	19	-		
JSPB11203		3		• 1610	42	2	63	-	25	38	-		
JSPB11802	118	2	125	• 1610	42	2	44	-	25	19	-		
JSPB11803		3		• 1610	42	2	63	-	25	38	-		
JSPB12502	125	2	132	2012	50	2	44	-	32	12	-		
JSPB12503		3		2012	50	2	63	-	32	31	-		
JSPB12504		4		2012	50	3	82	25	32	25	-		
JSPB12505		5		2012	50	3	101	34.5	32	34.5	-		
JSPB13202	132	2	139	2012	50	2	44	-	32	12	-		
JSPB13203		3		2012	50	2	63	-	32	31	-		
JSPB13204		4		2012	50	3	82	25	32	25	-		
JSPB13205		5		2517	50	3	101	28	45	28	-		
JSPB14002	140	2	147	2012	50	2	44	-	32	12	-		
JSPB14003		3		2012	50	2	63	-	32	31	-		
JSPB14004		4		2517	60	3	82	18.5	45	18.5	-		
JSPB14005		5		2517	60	3	101	28	45	28	-		
JSPB14006		6		2517	60	3	120	37.5	45	37.5	-		
JSPB15002		150		2	157	2012	50	2	44	-	32	12	-
JSPB15003	3		2517	60		2	63	-	45	18	-		
JSPB15004	4		2517	60		3	82	18.5	45	18.5	-		
JSPB15005	5		2517	60		3	101	28	45	28	-		
JSPB15006	6		2517	60		3	120	37.5	45	37.5	-		
JSPB16002	160		2	167		2012	50	2	44	-	32	12	-
JSPB16003		3	2517		60	2	63	-	45	18	-		
JSPB16004		4	2517		60	3	82	18.5	45	18.5	-		
JSPB16005		5	2517		60	3	101	28	45	28	-		
JSPB16006		6	3020		75	3	120	34.5	51	34.5	-		
JSPB17002		170	2		177	2012	50	2	44	-	32	12	-
JSPB17003	3		2517	60		2	63	-	45	18	-		
JSPB17004	4		2517	60		3	82	18.5	45	18.5	-		
JSPB17005	5		3020	75		3	101	28	51	25	-		
JSPB17006	6		3020	75		3	120	34.5	51	34.5	-		
JSPB17008	8		3030	75		3	158	41	76	41	-		
JSPB18002	180		2	187		2517	60	1	44	-	44	0	-
JSPB18003			3			2517	60	2	63	-	45	18	-
JSPB18004		4	2517		60	3	82	18.5	45	18.5	-		
JSPB18005		5	3020		75	3	101	28	51	25	-		
JSPB18006		6	3020		75	3	120	34.5	51	34.5	-		
JSPB18008		8	3030		75	3	158	41	76	41	-		
JSPB19002		190	2		197	2517	60	1	44	-	44	0	0
JSPB19003			3			2517	60	2	63	-	45	18	-
JSPB19004	4		2517	60		3	82	18.5	45	18.5	-		
JSPB19005	5		3020	75		3	101	25	51	25	-		
JSPB19006	6		3020	75		3	120	34.5	51	34.5	-		
JSPB19008	8		3030	75		3	158	41	76	41	-		
JSPB20002	200		2	207		2517	60	8	44	-	44	0	0
JSPB20003			3			2517	60	7	63	9	45	9	117
JSPB20004		4	3020		75	3	82	15.5	51	15.5	-		
JSPB20005		5	3020		75	3	101	25	51	25	-		
JSPB20006		6	3020		75	3	120	34.5	51	34.5	-		
JSPB20008		8	3525		100	3	158	46.5	65	46.5	-		

I.V - 벨트 및 풀리

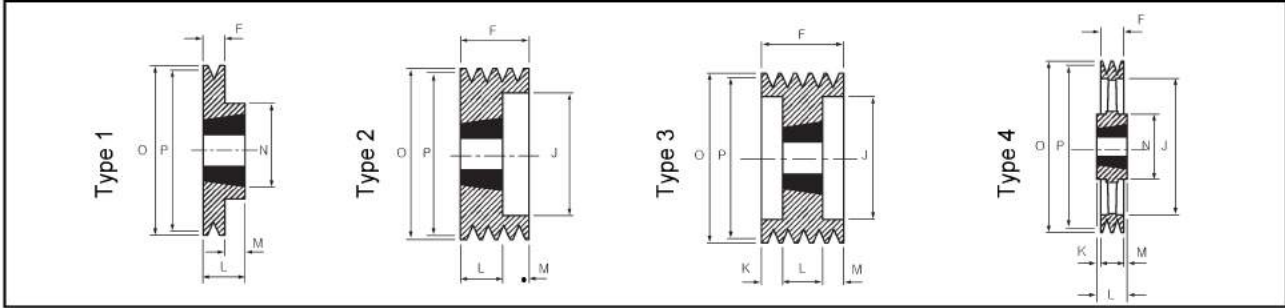
테퍼콕® V-풀리 SPB/5V②



코드번호 Code	피치경(P)	열 수	외주경(O)	TQ부쉬	최대축경	풀리타입	F	K	L	M	N
JSPB21202	212	2	219	2517	60	8	44	-	44	0	0
JSPB21203		3		2517	60	7	63	-	45	18	117
JSPB21204		4		3020	75	3	82	15.5	51	15.5	-
JSPB21205		5		3020	75	3	101	25	51	25	-
JSPB21206		6		• 3525	100	3	120	27.5	65	27.5	-
JSPB21208		8		• 3525	100	3	158	46.5	65	46.5	-
JSPB22402	224	2	231	2517	60	8	44	-	45	1	117
JSPB22403		3		2517	60	7	63	-	45	18	117
JSPB22404		4		3020	75	3	82	15.5	51	15.5	-
JSPB22405		5		3020	75	3	101	25	51	25	-
JSPB22406		6		• 3525	100	3	120	27.5	65	27.5	-
JSPB22408		8		• 3525	100	3	158	46.5	65	46.5	-
JSPB23602	236	2	243	2517	60	8	44	-	45	1	117
JSPB23603		3		2517	60	7	63	-	45	18	117
JSPB23604		4		3020	75	7	82	15.5	51	15.5	-
JSPB23605		5		• 3525	100	3	101	18	65	18	-
JSPB23606		6		• 3525	100	3	120	27.5	65	27.5	-
JSPB23608		8		• 3525	100	3	158	46.5	65	46.5	-
JSPB25002	250	2	257	2517	60	8	44	-	45	1	117
JSPB25003		3		3020	75	7	63	-	51	12	144
JSPB25004		4		3020	75	7	82	15.5	51	15.5	144
JSPB25005		5		• 3525	100	3	101	18	65	18	-
JSPB25006		6		• 3525	100	3	120	27.5	65	27.5	-
JSPB25008		8		• 3525	100	3	158	46.5	65	46.5	-
JSPB25010	10	• 3535	100	3	196	53.5	89	53.5	-		
JSPB26502	265	2	272	2517	60	8	44	-	45	1	159
JSPB26503		3		3020	75	7	63	6	51	6	159
JSPB26504		4		3020	75	7	82	15.5	51	15.5	159
JSPB26505		5		3525	100	3	101	18	65	18	178
JSPB26506		6		3525	100	3	120	27.5	65	27.5	178
JSPB26508		8		3525	100	3	158	46.5	65	46.5	178
JSPB28002	280	2	287	2517	60	8	44	-	45	1	117
JSPB28003		3		3020	75	5	63	6	51	6	144
JSPB28004		4		3020	75	7	82	15.5	51	15.5	144
JSPB28005		5		• 3525	100	7	101	18	65	18	178
JSPB28006		6		• 3525	100	7	120	27.5	65	27.5	178
JSPB28008		8		• 3525	100	7	158	46.5	65	46.5	178
JSPB28010	10	• 3535	100	7	196	53.5	89	53.5	178		
JSPB30002	300	2	307	2517	60	5	44	-	45	1	124
JSPB30003		3		3020	75	5	63	6	51	6	159
JSPB30004		4		• 3525	100	5	82	8.5	65	8.5	178
JSPB30005		5		• 3525	100	7	101	17	65	18	178
JSPB30006		6		• 3525	100	7	120	27.5	65	27.5	178
JSPB30008		8		• 3525	100	7	158	46.5	65	46.5	178
JSPB31502	315	2	322	2517	60	4	44	-	45	1	117
JSPB31503		3		3020	75	5	63	6	51	6	144
JSPB31504		4		• 3525	100	5	82	8.5	65	8.5	178
JSPB31505		5		• 3525	100	7	101	18	65	18	178
JSPB31506		6		• 3525	100	7	120	27.5	65	27.5	178
JSPB31508		8		• 3525	100	7	158	46.5	65	46.5	178
JSPB31510	10	• 3535	100	7	196	53.5	89	53.5	178		
JSPB33502	335	2	342	2517	60	4	44	-	45	1	120
JSPB33503		3		3020	75	5	63	6	51	6	145
JSPB33504		4		• 3525	100	5	82	8.5	65	8.5	178
JSPB33505		5		• 3525	100	5	101	18	65	18	178
JSPB33506		6		• 3525	100	5	120	27.5	65	27.5	178
JSPB33508		8		• 3525	100	5	158	46.5	65	46.5	178
JSPB33510	10	• 4040	110	5	196	47	102	47	216		
JSPB35502	355	2	362	3020	75	4	44	-	51	7	144
JSPB35503		3		3020	75	5	63	6	51	6	144
JSPB35504		4		• 3525	100	5	82	8.5	65	8.5	178
JSPB35505		5		• 3525	100	5	101	18	65	18	178
JSPB35506		6		• 3525	100	5	120	27.5	65	27.5	178
JSPB35508		8		• 3525	100	5	158	46.5	65	46.5	178
JSPB35510	10	• 4040	110	5	196	47	102	47	216		
JSPB37502	375	2	382	3020	75	4	44	-	51	7	159
JSPB37503		3		3020	75	5	63	6	51	6	159
JSPB37504		4		3525	100	5	82	8.5	65	8.5	178
JSPB37505		5		3525	100	5	101	18	65	18	178
JSPB37506		6		3525	100	5	120	27.5	65	27.5	178
JSPB37508		8		3525	100	5	158	46.5	65	46.5	178

註) 품질 향상을 위하여 부쉬 사이즈나 일부 사양을 사전 통보없이 변경할 수 있음. • 표시는 부쉬 변경 가능

테퍼릭® V-폴리 SPB/5V³



코드번호 Code	피치경(P)	열 수	외주경(O)	TQ부쉬	최대축경	폴리타입	F	K	L	M	N			
JSPB40002	400	10	407	• 3020	75	4	44	-	51	7	144			
JSPB40003				• 3525	100	4	63	-	65	2	178			
JSPB40004				• 3525	100	5	82	8.5	65	8.5	178			
JSPB40005				• 3525	100	5	101	18	65	18	178			
JSPB40006				• 3525	100	5	120	27.5	65	27.5	178			
JSPB40008				• 4040	100	5	158	28	102	28	210			
JSPB40010				• 4040	100	5	196	47	102	47	210			
JSPB42502				425	10	432	• 3020	75	4	44	-	51	7	150
JSPB42503	• 3525	100	4				63	-	65	2	178			
JSPB42504	• 3525	100	5				82	8.5	65	8.5	178			
JSPB42505	• 3525	100	5				101	18	65	18	178			
JSPB42506	• 3525	100	5				120	27.5	65	27.5	178			
JSPB42508	• 4040	100	5				158	28	102	28	210			
JSPB42510	• 4545	120	5				196	40.5	115	40.5	230			
JSPB45002	450	10	457				• 3020	75	4	44	-	51	7	144
JSPB45003				• 3525	100	4	63	-	65	2	178			
JSPB45004				• 3525	100	5	82	-	65	17	178			
JSPB45005				• 3525	100	5	101	18	65	18	178			
JSPB45006				• 4030	100	5	120	22	76	22	210			
JSPB45008				• 4040	100	5	158	28	102	28	210			
JSPB45010				• 4545	120	5	196	40.5	115	40.5	242			
JSPB47502				475	10	482	• 3020	75	4	44	-	51	7	150
JSPB47503	• 3525	100	4				63	-	65	2	178			
JSPB47504	• 3525	100	5				82	8.5	65	8.5	178			
JSPB47505	• 3525	100	5				101	18	65	18	178			
JSPB47506	• 4030	100	5				120	22	76	22	210			
JSPB47508	• 4040	110	5				158	28	102	28	210			
JSPB47510	• 4545	120	5				196	40.5	115	40.5	230			
JSPB50002	500	10	507				• 3020	75	4	44	-	51	7	144
JSPB50003				• 3525	100	4	63	-	65	2	178			
JSPB50004				• 3525	100	5	82	-	65	17	178			
JSPB50005				• 3525	100	5	101	18	65	18	178			
JSPB50006				• 4030	100	5	120	22	76	22	178			
JSPB50008				• 4040	110	5	158	28	102	28	210			
JSPB50010				• 4545	120	5	196	40.5	115	40.5	242			
JSPB53002				*530	10	537	• 3020	75	4	44	-	51	7	150
JSPB53003	• 3525	100	4				63	-	65	2	178			
JSPB53004	• 3525	100	5				82	-	65	17	178			
JSPB53005	• 3525	100	5				101	18	65	18	178			
JSPB53006	• 4030	100	5				120	22	76	22	178			
JSPB53009	• 4040	110	5				158	28	102	28	210			
JSPB53010	• 4545	120	5				196	40.5	115	40.5	230			
JSPB56002	560	10	567				• 3020	75	4	44	-	51	7	144
JSPB56003				• 3525	100	4	63	-	65	2	178			
JSPB56004				• 3525	100	5	82	-	65	17	178			
JSPB56005				• 3525	100	5	101	-	65	36	178			
JSPB56006				• 4030	110	5	120	22	76	22	210			
JSPB56008				• 4545	120	5	158	22	114	22	230			
JSPB63002				630	10	637	• 3020	75	4	44	-	51	7	144
JSPB63003							• 3525	100	4	63	-	65	2	178
JSPB63004	• 3525	100	5				82	8.5	65	8.5	178			
JSPB63005	• 3525	100	5				101	18	65	18	178			
JSPB63006	• 4030	110	5				120	22	76	22	210			
JSPB63008	• 4545	120	5				158	22	114	22	242			
JSPB63010	• 4545	120	5				196	41	114	41	242			
JSPB71003	710	10	717				• 3525	100	4	63	-	65	2	178
JSPB71004				• 3525	100	5	82	-	65	17	178			
JSPB71005				• 4030	110	5	101	12.5	76	12.5	210			
JSPB71006				• 4040	115	5	120	9	102	9	242			
JSPB71008				• 4545	120	5	158	22	114	22	242			
JSPB71010				• 4545	120	5	196	41	114	41	242			
JSPB80003				800	10	807	• 3525	100	4	63	-	65	2	178
JSPB80004							• 4030	115	4	82	-	76	6	210
JSPB80005	• 4040	110	5				101	-	102	1	210			
JSPB80006	• 4545	120	5				120	3	114	3	242			
JSPB80008	• 4545	120	5				158	22	114	22	242			
JSPB80010	• 4545	120	5				196	41	114	41	242			
JSPB90003	900	10	907				• 3535	100	4	63	-	89	13	178
JSPB90004							• 4030	115	5	82	3	76	3	210
JSPB90005				• 4040	110	5	101	-	102	1	210			
JSPB90006				• 4545	120	5	120	3	114	3	242			
JSPB90008				• 4545	120	5	158	22	114	22	242			
JSPB90010				• 5050	125	5	196	34.5	127	34.5	267			
JSPB100003				1000	10	1007	• 4030	115	4	63	6.5	76	6.5	210
JSPB100004							• 4030	115	5	82	3	76	3	210
JSPB100005	• 4545	120	5				101	6.5	114	6.5	242			
JSPB100006	• 4545	120	5				120	3	114	3	242			
JSPB100008	• 5050	125	5				158	15.5	127	15.5	267			
JSPB100010	• 5050	125	5				196	34.5	127	34.5	267			
JSPB125003	1250	10	1257				• 4535	120	4	63	13	89	13	242
JSPB125004							• 4545	120	4	82	16	114	16	242
JSPB125005				• 4545	120	5	101	6.5	114	6.5	242			
JSPB125006				• 4545	120	5	120	3	114	3	242			
JSPB125008				• 5050	125	5	158	15.5	127	15.5	267			

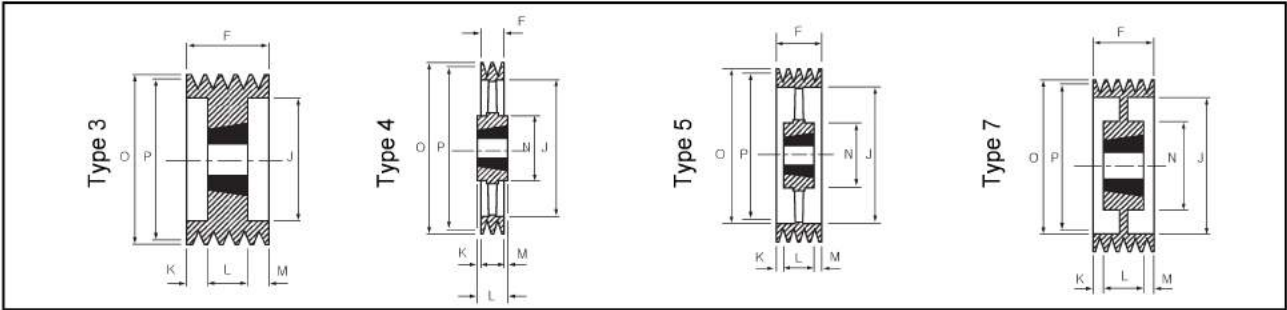
註) 품질 향상을 위하여 부쉬 사이즈나 일부 사양을 사전 통보없이 변경할 수 있음.

* 표시는 추가사양 • 표시는 부쉬 변경 가능

I.V- 벨트 및 풀리

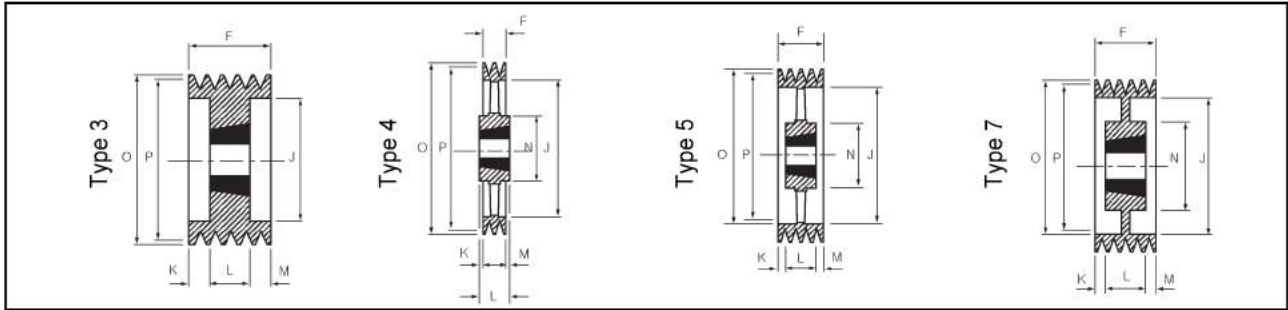
4 테퍼콧® V-풀리 SPC①

적용 V-벨트 : SPC



코드번호 Code	피치경(P)	열 수	외주경(O)	TQ부쉬	최대축경	풀리타입	F	K	L	M	N
JSPC17003	170	3	180	2517	60	3	85	20	45	20	-
JSPC17004		4		• 3020	60	3	111	30	51	30	-
JSPC17005		5		3020	75	3	136	42.5	51	42.5	-
JSPC18003	180	3	190	2517	60	3	85	20	45	20	-
JSPC18004		4		• 3020	60	3	111	30	51	30	-
JSPC18005		5		3020	75	3	136	42.5	51	42.5	-
JSPC18006	6	3020	75	3	162	55.5	51	55.5	-		
JSPC19003	190	3	200	2517	60	3	85	20	45	20	-
JSPC19004		4		3020	75	3	111	30	51	20	-
JSPC19005		5		3020	75	3	136	42.5	51	42.5	-
JSPC19006	6	3020	75	3	162	42.5	51	55.5	-		
JSPC20003	200	3	210	2517	60	3	85	20	45	20	-
JSPC20004		4		3020	75	3	111	30	51	30	-
JSPC20005		5		• 3525	100	3	136	35.5	65	35.5	-
JSPC20006	6	• 3525	100	3	162	48.5	65	48.5	-		
JSPC20008	8	3535	100	3	213	62	89	62	-		
JSPC21203	212	3	222	3020	75	3	85	17	51	17	-
JSPC21204		4		3020	75	3	111	30	51	30	-
JSPC21205		5		• 3525	100	3	136	35.5	65	35.5	-
JSPC21206	6	• 3525	100	3	162	48.5	65	48.5	-		
JSPC21208	8	3535	100	3	213	62	89	62	-		
JSPC22403	224	3	234	3020	75	3	85	17	51	17	-
JSPC22404		4		• 3525	100	3	111	23	65	23	-
JSPC22405		5		• 3525	100	3	136	35.5	65	35.5	-
JSPC22406	6	• 3525	100	3	162	48.5	65	48.5	-		
JSPC22408	8	3535	100	3	213	62	89	62	-		
JSPC23603	236	3	246	3020	75	3	85	17	51	17	-
JSPC23604		4		• 3525	100	3	111	23	65	23	-
JSPC23605		5		• 3525	100	3	136	35.5	65	35.5	-
JSPC23606	6	• 3525	100	3	162	48.5	65	48.5	-		
JSPC23608	8	3535	100	3	213	62	89	62	-		
JSPC25003	250	3	260	3020	75	3	85	17	51	17	-
JSPC25004		4		• 3525	100	3	111	23	65	23	-
JSPC25005		5		• 3525	100	3	136	35.5	65	35.5	-
JSPC25006	6	• 3525	100	3	162	48.5	65	48.5	-		
JSPC25008	8	3535	100	3	213	62	89	62	-		
JSPC26503	265	3	275	• 3525	100	3	85	10	65	10	-
JSPC26504		4		• 3525	100	3	111	23	65	23	-
JSPC26505		5		• 3525	100	3	136	35.5	65	35.5	-
JSPC26506	6	• 3525	100	3	162	48.5	65	48.5	-		
JSPC26508	8	3535	100	3	213	62	89	62	-		
JSPC28003	280	3	290	• 3525	100	3	85	10	65	10	-
JSPC28004		4		• 3525	100	3	111	23	65	23	-
JSPC28005		5		• 3525	100	3	136	35.5	65	35.5	-
JSPC28006	6	• 3525	100	3	162	48.5	65	48.5	-		
JSPC28008	8	3535	100	3	213	62	89	62	-		
JSPC30003	300	3	310	• 3525	100	7	85	10	65	10	178
JSPC30004		4		• 3525	100	7	111	23	65	23	178
JSPC30005		5		• 3525	100	7	136	35.5	65	35.5	178
JSPC30006	6	• 3525	100	7	162	48.5	65	48.5	178		
JSPC30008	8	• 4040	110	7	213	55.5	102	55.5	210		
JSPC31503	315	3	325	• 3525	100	7	85	10	65	10	178
JSPC31504		4		• 3525	100	7	111	23	65	23	178
JSPC31505		5		• 3525	100	7	136	35.5	65	35.5	178
JSPC31506	6	• 3525	100	7	162	48.5	65	48.5	178		
JSPC31508	8	• 4040	110	7	213	55.5	102	55.5	210		
JSPC33503	335	3	345	• 3525	100	4	85	10	65	10	178
JSPC33504		4		• 3525	100	4	111	23	65	23	178
JSPC33505		5		• 3525	100	7	136	35.5	65	35.5	178
JSPC33506	6	• 3525	100	7	162	48.5	65	48.5	178		
JSPC33508	8	• 4040	110	7	213	55.3	102	55.5	210		
JSPC35503	355	3	365	• 3525	100	4	85	10	65	10	178
JSPC35504		4		• 3525	100	4	111	23	65	23	178
JSPC35505		5		• 3525	100	4	136	35.5	65	35.5	178
JSPC35506	6	• 3525	100	7	162	48.5	65	48.5	178		
JSPC35508	8	• 4040	110	7	213	55.5	102	55.5	210		

테퍼콕® V-폴리 SPC²



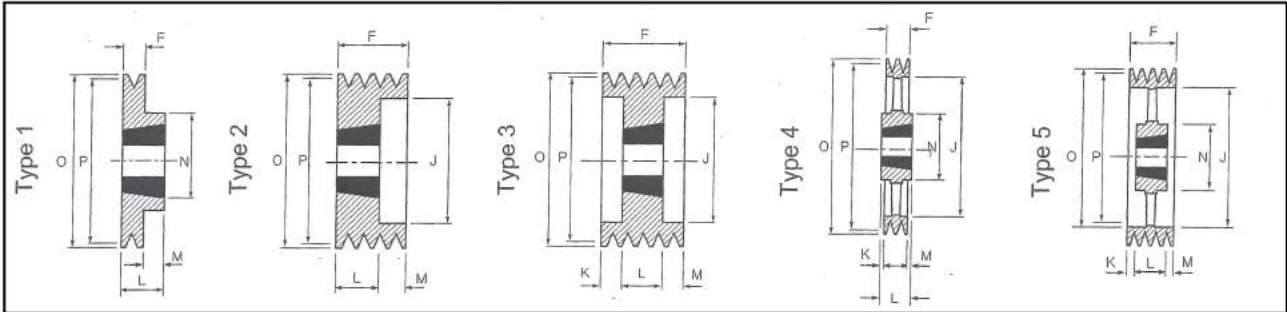
코드번호 Code	피치경(P)	열 수	외주경(O)	TQ부쉬	최대축경	폴리타입	F	K	L	M	N
JSPC37503	375	3	385	• 3525	100	4	85	10	65	10	178
JSPC37504		4		• 3525	100	4	111	23	65	23	178
JSPC37505		5		• 3525	100	4	136	35.5	65	35.5	178
JSPC37506		6		• 4040	100	7	162	30	102	30	210
JSPC37508		8		• 4545	115	7	213	49.5	114	49.5	242
JSPC40003	400	3	410	• 3525	100	4	85	10	65	10	178
JSPC40004		4		• 3525	100	4	111	23	65	23	178
JSPC40005		5		• 3525	100	4	136	35.5	65	35.5	178
JSPC40006		6		• 4040	110	7	162	30	102	30	210
JSPC40008		8		• 4545	115	7	213	49.5	114	49.5	242
JSPC42503	425	3	435	• 3525	100	5	85	10	65	10	178
JSPC42504		4		• 3525	100	5	111	36	65	10	178
JSPC42505		5		• 3525	100	5	136	61	65	10	178
JSPC42506		6		• 4040	110	7	162	30	102	30	210
JSPC42508		8		• 4545	120	7	213	49.5	114	49.5	242
JSPC45003	450	3	460	• 3525	100	5	85	10	65	10	178
JSPC45004		4		• 3525	100	5	111	36	65	10	178
JSPC45005		5		• 4040	100	5	136	17	102	17	210
JSPC45006		6		• 4545	120	5	162	24	114	24	242
JSPC45008		8		• 5050	125	7	213	43	127	43	267
JSPC47503	475	3	485	• 3525	100	5	85	10	65	10	178
JSPC47504		4		• 3525	100	5	111	36	65	10	178
JSPC47505		5		• 4040	100	5	136	17	102	17	210
JSPC47506		6		• 4545	120	5	162	24	114	24	242
JSPC47508		8		• 5050	125	7	213	43	127	43	267
JSPC50003	500	3	510	• 3525	100	5	85	10	65	10	178
JSPC50004		4		• 3535	100	5	111	11	89	11	178
JSPC50005		5		• 4040	100	5	136	17	102	17	210
JSPC50006		6		• 4545	120	5	162	24	114	24	242
JSPC50008		8		• 5050	125	7	213	43	127	43	267
JSPC53003	530	3	540	• 3535	100	5	85	2	89	2	178
JSPC53004		4		• 4040	100	5	111	4.5	102	4.5	210
JSPC53005		5		• 4545	120	5	136	11	114	11	242
JSPC53006		6		• 5050	120	5	162	17.5	127	17.5	267
JSPC53008		8		• 5050	125	7	213	43	127	43	267
JSPC56003	560	3	570	• 3535	100	5	85	2	89	2	178
JSPC56004		4		• 4040	100	5	111	4.5	102	4.5	210
JSPC56005		5		• 4545	120	5	136	11	114	11	242
JSPC56006		6		• 5050	120	5	162	17.5	127	17.5	267
JSPC56008		8		• 5050	125	5	213	43	127	43	267
JSPC63003	630	3	640	• 4040	110	5	85	8.5	102	8.5	210
JSPC63004		4		• 4545	110	5	111	1.5	114	1.5	242
JSPC63005		5		• 5050	120	5	136	4.5	127	4.5	267
JSPC63006		6		• 5050	120	5	162	17.5	127	17.5	267
JSPC63008		8		• 5050	125	5	213	43	127	43	267
JSPC71003	710	3	720	• 4040	110	5	85	8.5	102	8.5	210
JSPC71004		4		• 5050	110	5	111	8	127	8	267
JSPC71005		5		• 5050	125	5	136	4.5	127	4.5	267
JSPC71006		6		• 5050	125	5	162	17.5	127	17.5	267
JSPC71008		8		• 5050	125	5	213	43	127	43	267
JSPC80003	800	3	810	• 4545	120	4	85	14.5	114	14.5	242
JSPC80004		4		• 5050	125	5	111	8	127	8	267
JSPC80005		5		• 5050	125	5	136	4.5	127	4.5	267
JSPC80006		6		• 5050	125	5	162	17.5	127	17.5	267
JSPC80008		8		• 5050	125	5	213	43	127	43	267
JSPC90003	900	3	910	• 4545	120	4	85	14.5	114	14.5	242
JSPC90004		4		• 5050	125	5	111	8	127	8	267
JSPC90005		5		• 5050	125	5	136	4.5	127	4.5	267
JSPC90006		6		• 5050	125	5	162	17.5	127	17.5	267
JSPC90008		8		• 5050	125	5	213	43	127	43	267
JSPC100003	1000	3	1010	• 5050	125	4	85	21	127	21	267
JSPC100004		4		• 5050	125	5	111	8	127	8	267
JSPC100005		5		• 5050	125	5	136	4.5	127	4.5	267
JSPC100006		6		• 5050	125	5	162	17.5	127	17.5	267
JSPC100008		8		• 5050	125	5	213	43	127	43	267

註) 품질 향상을 위하여 부쉬 사이즈나 일부 사양을 사전 통보없이 변경할 수 있음.

*표시는 추가사양 • 표시는 부쉬 변경 가능

I.V-벨트 및 풀리

5 테퍼콕® V-풀리 5V①

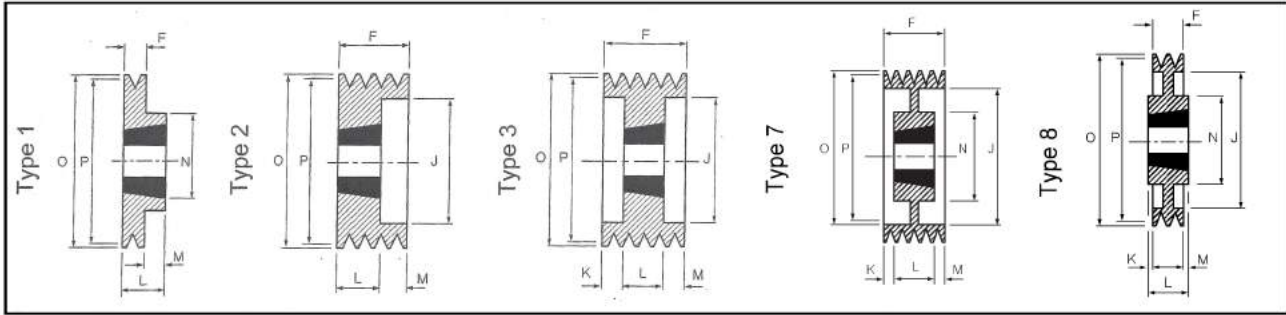


코드번호 Code	피치경(P)	열수	외주경(O)	TQ부쉬	최대축경	풀리타입	F	K	L	M	N
J5V 04.00.02	99.1	2	4" (102)	1610	42	2	42.9	-	25	17.9	-
03		3		1610	42	2	60.4	-	25	35.4	-
04		4		1610	42	3	77.9	26.5	25	26.5	-
J5V 04.40.02	109.2	2	4.4" (112)	1610	42	2	42.9	-	25	17.9	-
03		3		1610	42	2	60.4	-	25	35.4	-
04		4		1610	42	3	77.9	23	25	23	-
J5V 04.65.02	115.6	2	4.65" (118)	2012	50	2	42.9	-	32	10.9	-
03		3		2012	50	2	60.4	-	32	28.4	-
04		4		2012	50	3	77.9	23	32	23	-
J5V 04.90.02	121.9	2	4.9" (124)	2012	50	2	42.9	-	32	10.9	-
03		3		2012	50	2	60.4	-	32	28.4	-
04		4		2012	50	3	77.9	23	32	23	-
05		5		2012	50	3	95.4	31.7	32	31.7	-
J5V 05.20.02	129.5	2	5.2" (132)	2012	50	2	42.9	-	32	10.9	-
03		3		2012	50	2	60.4	-	32	28.4	-
04		4		2012	50	3	77.9	23	32	23	-
05		5		2012	50	3	95.4	31.7	32	31.7	-
J5V 05.50.02	137.2	2	5.5" (140)	2012	50	2	42.9	-	32	10.9	-
03		3		2012	50	2	60.4	-	32	28.4	-
04		4		2517	60	3	77.9	16.5	45	16.5	-
05		5		2517	60	3	95.4	25.2	45	25.2	-
06		6		2517	60	3	112.9	34	45	34	-
J5V 05.90.02	147.3	2	5.9" (150)	2012	50	2	42.9	-	32	10.9	-
03		3		2517	60	2	60.4	-	45	15.4	-
04		4		2517	60	3	77.9	16.5	45	16.5	-
05		5		2517	60	3	95.4	25.2	45	25.2	-
06		6		2517	60	3	112.9	34	45	34	-
06		6		2517	60	3	112.9	34	45	34	-
J5V 06.30.02	157.5	2	6.3" (160)	2012	50	2	42.9	-	32	10.9	-
03		3		2517	60	2	60.4	-	45	15.4	-
04		4		2517	60	3	77.9	16.5	45	16.5	-
05		5		2517	60	3	95.4	25.2	45	25.2	-
06		6		2517	60	3	112.9	34	45	34	-
06		6		2517	60	3	112.9	34	45	34	-
J5V 06.70.02	167.6	2	6.7" (170)	2012	50	2	42.9	-	32	10.9	-
03		3		2517	60	2	60.4	-	45	15.4	-
04		4		2517	60	3	77.9	16.5	45	16.5	-
05		5		2517	60	3	95.4	25.2	45	25.2	-
06		6		2517	60	3	112.9	31	51	31	-
06		6		3020	75	3	112.9	31	51	31	-
J5V 07.10.02	177.8	2	7.1" (180)	2517	60	1	42.9	-	45	2.1	120
03		3		2517	60	2	60.4	-	45	15.4	-
04		4		2517	60	3	77.9	16.5	45	16.5	-
05		5		3020	75	3	95.4	22.2	51	22.2	-
06		6		3020	75	3	112.9	31	51	31	-
08		8		3030	75	3	147.9	36	76	36	-
08		8		3030	75	3	147.9	36	76	36	-
08		8		3030	75	3	147.9	36	76	36	-
J5V 07.50.02	188	2	7.5" (190)	2517	60	1	42.9	-	45	2.1	120
03		3		2517	60	2	60.4	-	45	15.4	-
04		4		2517	60	3	77.9	16.5	45	16.5	-
05		5		3020	75	3	95.4	22.2	51	22.2	-
06		6		3020	75	3	112.9	31	51	31	-
08		8		3030	75	3	147.9	36	76	36	-
08		8		3030	75	3	147.9	36	76	36	-
08		8		3030	75	3	147.9	36	76	36	-

(주문예) J5V 07.10.02 TQ 45×14×3.8

J=세이콥 풀리, 5V=벨트타입, 07.10.02 = 외주경 7.1인치 풀리 2열, TQ=테퍼콕 부쉬, 45×14×3.8 = 축경 45mm키홈 14×3.8mm

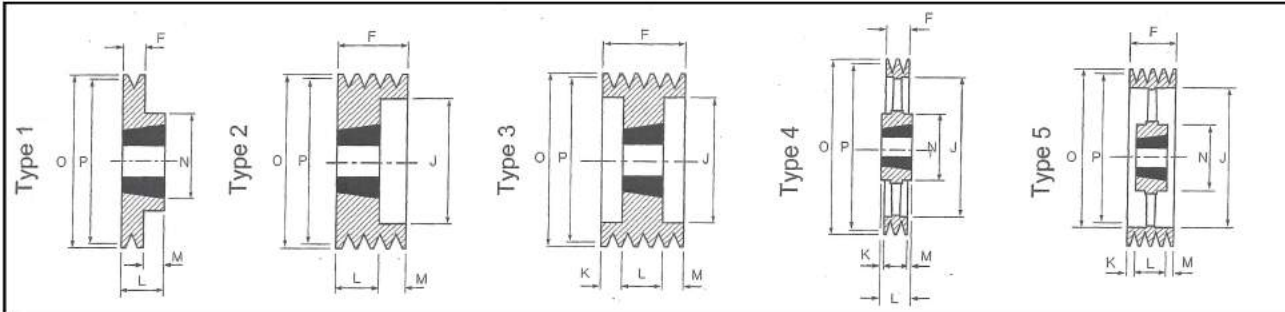
테퍼콕® V-폴리 5V^②



코드번호 Code	피치경(P)	열수	외주경(O)	TQ부쉬	최대축경	폴리타입	F	K	L	M	N
J5V 08.00.02	200.7	2	8" (203)	2517	60	1	42.9	-	45	2.1	120
03		3		2517	60	2	60.4	-	45	15.4	-
04		4		3020	75	3	77.9	13.5	51	13.5	-
05		5		3020	75	3	95.4	22.2	51	22.2	-
06		6		3020	75	3	112.9	31	51	31	-
07		7		3525	100	3	147.9	41.5	65	41.5	-
08		8		3525	100	3	147.9	41.5	65	41.5	-
J5V 08.50.02	213.4	2	8.5" (216)	2517	60	8	42.9	1.1	45	1.1	120
03		3		2517	60	7	60.4	7.7	45	7.7	120
04		4		3020	75	3	77.9	13.5	51	13.5	-
05		5		3020	75	3	95.4	22.2	51	22.2	-
06		6		3525	100	3	112.9	24	65	24	-
07		7		3525	100	3	147.9	41.5	65	41.5	-
08		8		3525	100	3	147.9	41.5	65	41.5	-
J5V 09.00.02	226.1	2	9" (229)	2517	60	8	42.9	1.1	45	1.1	120
03		3		2517	60	7	60.4	7.7	45	7.7	120
04		4		3020	75	3	77.9	13.5	51	13.5	-
05		5		3020	75	3	95.4	22.2	51	22.2	-
06		6		3525	100	3	112.9	24	65	24	-
07		7		3535	100	3	147.9	29.5	89	29.5	-
08		8		3535	100	3	147.9	29.5	89	29.5	-
J5V 09.25.02	232.4	2	9.25" (235)	2517	60	8	42.9	1.1	45	1.1	120
03		3		2517	60	7	60.4	7.7	45	7.7	120
04		4		3020	75	3	77.9	13.5	51	13.5	-
05		5		3020	75	3	95.4	22.2	51	22.2	-
06		6		3525	100	3	112.9	24	65	24	-
07		7		3535	100	3	147.9	29.5	89	29.5	-
08		8		3535	100	3	147.9	29.5	89	29.5	-
J5V 10.00.02	251.5	2	10" (254)	2517	60	8	42.9	1.1	45	1.1	120
03		3		3020	75	7	60.4	4.7	51	4.7	145
04		4		3020	75	7	77.9	13.5	51	13.5	145
05		5		3525	100	3	95.4	15.2	65	15.2	170
06		6		3525	100	3	112.9	24	65	24	170
07		7		3535	100	3	147.9	29.5	89	29.5	170
08		8		3535	100	3	147.9	29.5	89	29.5	170
J5V 10.50.02	264.2	2	10.5" (267)	2517	60	8	42.9	1.1	45	1.1	120
03		3		3020	75	7	60.4	4.7	51	4.7	145
04		4		3020	75	7	77.9	13.5	51	13.5	145
05		5		3525	100	3	95.4	15.2	65	15.2	170
06		6		3525	100	3	112.9	24	65	24	170
07		7		3535	100	3	147.9	29.5	89	29.5	170
08		8		3535	100	3	147.9	29.5	89	29.5	170
J5V 11.00.02	276.9	2	11" (279)	2517	60	8	42.9	1.1	45	1.1	120
03		3		3020	75	7	60.4	4.7	51	4.7	145
04		4		3020	75	7	77.9	13.5	51	13.5	145
05		5		3525	100	7	95.4	15.2	65	15.2	170
06		6		3525	100	7	112.9	24	65	24	170
07		7		3535	100	7	147.9	29.5	89	29.5	170
08		8		3535	100	7	147.9	29.5	89	29.5	170
J5V 12.00.02	302.3	2	12" (305)	2517	60	8	42.9	1.1	45	1.1	120
03		3		3020	75	7	60.4	4.7	51	4.7	145
04		4		3525	100	7	77.9	6.5	65	6.5	170
05		5		3525	100	7	95.4	15.2	65	15.2	170
06		6		3525	100	7	112.9	24	65	24	170
07		7		3535	100	7	147.9	29.5	89	29.5	170
08		8		3535	100	7	147.9	29.5	89	29.5	170
J5V 12.50.02	315	2	12.5" (318)	2517	60	8	42.9	1.1	45	1.1	120
03		3		3020	75	7	60.4	4.7	51	4.7	145
04		4		3525	100	7	77.9	6.5	65	6.5	170
05		5		3525	100	7	95.4	15.2	65	15.2	170
06		6		3525	100	7	112.9	24	65	24	170
07		7		4040	110	7	147.9	23	102	23	180
08		8		4040	110	7	147.9	23	102	23	180

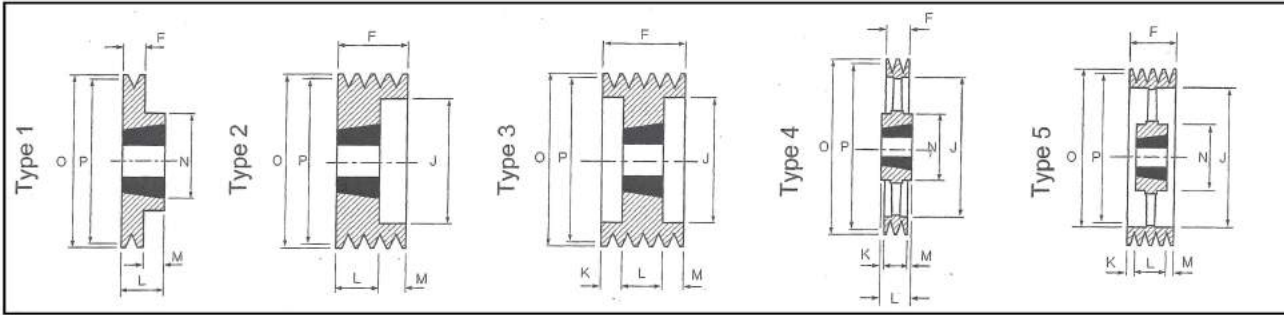
I.V-벨트 및 풀리

테퍼릭® V-풀리 5V③



코드번호 Code	피치경(P)	열수	외주경(O)	TQ부쉬	최대축경	풀리타입	F	K	L	M	N
J5V 13.20.02 03 04 05 06 08	332.7	2	13.2" (335)	2517	60	4	42.9	1.1	45	1.1	120
		3		3020	75	5	60.4	4.7	51	4.7	145
		4		3525	100	5	77.9	6.5	65	6.5	170
		5		3525	100	5	95.4	15.2	65	15.2	170
		6		3525	100	5	112.9	24	65	24	170
		8		4040	110	5	147.9	23	102	23	180
J5V 14.00.02 03 04 05 06 08 10	353.1	2	14" (355)	3020	75	4	42.9	4.1	51	4.1	145
		3		3020	75	5	60.4	4.7	51	4.7	145
		4		3525	100	5	77.9	6.5	65	6.5	170
		5		3525	100	5	95.4	15.2	65	15.2	170
		6		3525	100	5	112.9	24	65	24	170
		8		4040	110	5	147.9	23	102	23	180
J5V 15.00.02 03 04 05 06 08 10	378.5	2	15" (380)	3020	75	4	42.9	4.1	51	4.1	145
		3		3020	75	5	60.4	4.7	51	4.7	145
		4		3525	100	5	77.9	6.5	65	6.5	170
		5		3525	100	5	95.4	15.2	65	15.2	170
		6		4030	110	5	112.9	18.5	76	18.5	180
		8		4040	110	5	147.9	23	102	23	180
J5V 16.00.02 03 04 05 06 08 10	403.9	2	16" (406)	3020	75	4	42.9	4.1	51	4.1	145
		3		3525	100	4	60.4	2.3	65	2.3	170
		4		3525	100	5	77.9	6.5	65	6.5	170
		5		3525	100	5	95.4	15.2	65	15.2	170
		6		4030	110	5	112.9	18.5	76	18.5	180
		8		4040	110	5	147.9	23	102	23	180
J5V 17.00.02 03 04 05 06 08 10	429.3	2	17" (432)	3020	75	4	42.9	4.1	51	4.1	145
		3		3525	100	4	60.4	2.3	65	2.3	170
		4		3525	100	5	77.9	6.5	65	6.5	170
		5		3525	100	5	95.4	15.2	65	15.2	170
		6		4030	110	5	112.9	18.5	76	18.5	180
		8		4040	110	5	147.9	23	102	23	180
J5V 18.00.02 03 04 05 06 08 10	454.7	2	18" (457)	3020	75	4	42.9	4.1	51	4.1	145
		3		3525	100	4	60.4	2.3	65	2.3	170
		4		3525	100	5	77.9	6.5	65	6.5	170
		5		3525	100	5	95.4	15.2	65	15.2	170
		6		4030	110	5	112.9	18.5	76	18.5	180
		8		4040	110	5	147.9	23	102	23	180
J5V 19.00.02 03 04 05 06 08 10	480.0	2	19" (483)	3020	75	4	42.9	4.1	51	4.1	145
		3		3525	100	4	60.4	2.3	65	2.3	170
		4		3525	100	5	77.9	6.5	65	6.5	170
		5		3525	100	5	95.4	15.2	65	15.2	170
		6		4030	110	5	112.9	18.5	76	18.5	180
		8		4040	110	5	147.9	23	102	23	180
J5V 20.00.02 03 04 05 06 08 10	505.5	2	20" (508)	3020	75	4	42.9	4.1	51	4.1	145
		3		3525	100	4	60.4	2.3	65	2.3	170
		4		3525	100	5	77.9	6.5	65	6.5	170
		5		3525	100	5	95.4	15.2	65	15.2	170
		6		4030	110	5	112.9	18.5	76	18.5	180
		8		4040	110	5	147.9	23	102	23	180
10	4545	120	5	182.9	34	115	34	215			

테퍼콕® V-폴리 5V④



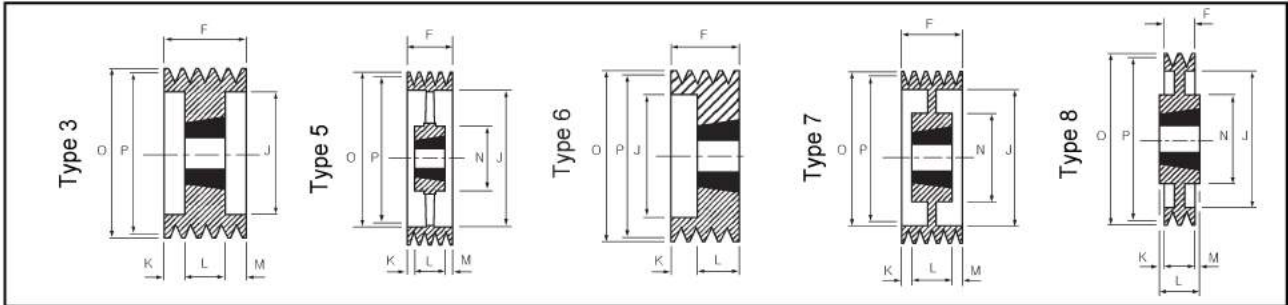
코드번호 Code	피치경(P)	열수	외주경(O)	TQ부쉬	최대축경	폴리타입	F	K	L	M	N
J5V 21.20.02 03 04 05 06 08 10	536	2	21.2" (538)	3020	75	4	42.9	4.1	51	4.1	145
		3		3525	100	4	60.4	2.3	65	2.3	170
		4		3525	100	5	77.9	6.5	65	6.5	170
		5		4030	110	5	95.4	9.7	76	9.7	180
		6		4030	110	5	112.9	18.5	76	18.5	180
		8		4040	110	5	147.9	23	102	23	180
		10		4545	120	5	182.9	34	115	34	215
J5V 22.00.02 03 04 05 06 08 10	556.3	2	22" (559)	3020	75	4	42.9	4.1	51	4.1	145
		3		3525	100	4	60.4	2.3	65	2.3	170
		4		3525	100	5	77.9	6.5	65	6.5	170
		5		4030	110	5	95.4	9.7	76	9.7	180
		6		4030	110	5	112.9	18.5	76	18.5	180
		8		4040	110	5	147.9	23	102	23	180
		10		4545	120	5	182.9	34	115	34	215
J5V 24.00.02 03 04 05 06 08 10	607	2	24" (610)	3020	75	4	42.9	4.1	51	4.1	145
		3		3525	100	4	60.4	2.3	65	2.3	170
		4		3525	100	5	77.9	6.5	65	6.5	170
		5		4030	110	5	95.4	9.7	76	9.7	180
		6		4030	110	5	112.9	18.5	76	18.5	180
		8		4040	110	5	147.9	23	102	23	180
		10		4545	120	5	182.9	34	115	34	215
J5V 25.00.02 03 04 05 06 08 10	632.5	2	25" (635)	3525	100	4	42.9	11.1	65	11.1	170
		3		3525	100	4	60.4	2.3	65	2.3	170
		4		3525	100	5	77.9	6.5	65	6.5	170
		5		4030	110	5	95.4	9.7	76	9.7	180
		6		4030	110	5	112.9	18.5	76	18.5	180
		8		4040	110	5	147.9	23	102	23	180
		10		4545	120	5	182.9	34	115	34	215
J5V 28.00.02 03 04 05 06 08 10	708.7	2	28" (711)	3525	100	4	42.9	11.1	65	11.1	170
		3		3525	100	4	60.4	2.3	65	2.3	170
		4		3525	100	5	77.9	6.5	65	6.5	170
		5		4030	110	5	95.4	9.7	76	9.7	180
		6		4030	110	5	112.9	18.5	76	18.5	180
		8		4545	120	5	147.9	16.5	115	16.5	215
		10		4545	120	5	182.9	34	115	34	215
J5V 30.00.04 05 06 08 10	759.9	4	30" (762)	4030	110	5	77.9	1	76	1	180
		5		4030	110	5	95.4	9.7	76	9.7	180
		6		4030	110	5	112.9	18.5	76	18.5	180
		8		4545	120	5	147.9	16.5	115	16.5	215
		10		4545	120	5	182.9	34	115	34	215
J5V 32.00.04 05 06 08 10	810.2	4	32" (812)	4030	110	5	77.9	1	76	1	180
		5		4030	110	5	95.4	9.7	76	9.7	180
		6		4535	120	5	112.9	23.9	89	23.5	215
		8		4545	120	5	147.9	16.5	115	16.5	215
		10		4545	120	5	182.9	34	115	34	215
J5V 35.40.04 05 06 08 10	896.6	4	35.4" (900)	4030	110	5	77.9	1	76	1	180
		5		4535	120	5	95.4	3.2	89	3.2	215
		6		4535	120	5	112.9	12	89	12	215
		8		4545	120	5	147.9	16.5	115	16.5	215
		10		4545	120	5	182.9	34	115	34	215

註) 1. 품질 향상을 위하여 부쉬 사이즈나 일부 사양을 사전 통보 없이 변경할 수 있음
2. 상기 이외의 규격은 주문에 따라 제작 공급함.

I.V-벨트 및 풀리

6 테퍼컱® V-풀리 8V

적용 V-벨트 : 8V



Code	외주경(O)	열 수	TQ부쉬	풀리형
J8V 12.50.04	*12.5" (318)	4	4040	3
05		5	4040	3
06		6	4040	3
08		8	4545	3
J8V 13.20.04	*13.2" (335)	4	4040	7
05		5	4040	7
06		6	4040	7
08		8	4545	7
10	10	4545	7	
J8V 14.00.04	*14" (355)	4	4040	7
05		5	4040	7
06		6	4545	7
08		8	4545	7
10	10	4545	7	
J8V 15.00.04	*15" (381)	4	4040	7
05		5	4040	7
06		6	4545	7
08		8	4545	7
10	10	5050	7	
J8V 16.00.04	*16" (406)	4	4040	7
05		5	4040	7
06		6	4545	7
08		8	4545	7
10	10	5050	7	
J8V 17.00.04	*17" (432)	4	4040	7
05		5	4545	7
06		6	4545	7
08		8	5050	7
10	10	5050	7	
J8V 18.00.04	*18" (457)	4	4040	7
05		5	4545	7
06		6	4545	7
08		8	5050	7
10	10	5050	7	
J8V 19.00.04	*19" (483)	4	4040	7
05		5	4545	7
06		6	4545	7
08		8	5050	7
10	10	5050	7	
J8V 20.00.04	*20" (508)	4	4545	7
05		5	4545	7
06		6	5050	7
08		8	5050	7
10	10	5050	7	
J8V 21.20.04	*21.2" (539)	4	4545	7
05		5	4545	7
06		6	5050	7
08		8	5050	7
10	10	5050	7	
J8V 22.40.04	*22.4" (569)	4	4545	7
05		5	4545	7
06		6	5050	7
08		8	5050	7
10	10	5050	7	

Code	외주경(O)	열 수	TQ부쉬	풀리형
J8V 24.80.04	*24.8" (630)	4	5050	5
05		5	5050	5
06		6	5050	5
08		8	5050	5
10	10	5050	5	
12	12	5050	5	
J8V 30.00.04	*30" (762)	4	5050	5
05		5	5050	5
06		6	5050	5
08		8	5050	5
10	10	5050	5	
12	12	6050	5	
J8V 35.50.04	*35.5" (902)	4	5050	5
05		5	5050	5
06		6	5050	5
08		8	5050	5
10	10	5050	5	
12	12	6050	5	
J8V 40.00.04	*40" (1016)	4	5050	5
05		5	5050	5
06		6	5050	5
08		8	5050	5
10	10	6050	5	
12	12	6050	5	
J8V 44.50.04	*44.5" (1130)	4	5050	5
05		5	5050	5
06		6	5050	5
08		8	6050	5
10	10	6050	5	
12	12	6050	5	
J8V 53.00.06	*53" (1346)	6	5050	5
08		8	6050	5
10		10	6050	5
12		12	7060	5
J8V 63.00.06	63" (1600)	6	6050	5
08		8	6060	5
10		10	6060	5
12		12	7060	5
J8V 71.00.06	71" (1803)	6	6050	5
08		8	6060	5
10		10	7060	5
12		12	7060	5

註) *표시 사이즈는 미국 표준 규격, 기타는 임의규격

(주문예)

J8V 12.50.04 TQ 60×18×4.4

J=제이콥 풀리, 8V=벨트타입,

12.50.04 = 외주경 12.5인치 풀리 4열,

TQ=테퍼컱 부쉬타입

60×18×4.4 = 축경 60mm 키홈 18×4.4mm